



1M-2M Trailer EBS



2S/1M, 2-4S/2M ASSEMBLY

	OE PART No.	AM PART No.
4S/2M (5 AUX) (Replaces 810 001 302)	810 001 303	
4S/2M (5 AUX, Int. Acc.)	810 006 301	
2S/2M (3 AUX) (Replaces 810 012 001)	810 005 301	
2S/2M (3 AUX, Int. Acc.)	810 007 301	
2S/1M (5 AUX) (Replaces 810 001 101)	810 001 102	
2S/1M (3 AUX) (Replaces 810 013 101)	810 004 101	
2S/1M (1 AUX) (Replaces 810 013 001)	810 003 101	
ECU 1M-2M		950 800 201
ECU 2M (Int. Acc.)		950 800 204
Valve 2M		950 800 302
Valve 1M		950 800 303

PRESSURE SWITCH

	c/w O Ring and Backing Washer	041 5023 09	950 800 903
--	-------------------------------	-------------	-------------

BLANKING PLUG

	ECU Positions: S2A, S2B, PSW, AUX1-5	003 8700 09	Use OE No.
--	--------------------------------------	-------------	------------

LABELS

	Information	028 5262 09	Use OE No.
	Chassis (Label A)	028 5277 09	Use OE No.
	Chassis (Label B)	028 5276 09	Use OE No.
	Load Plate Data	028 5301 09	Use OE No.

INFO CENTRE

	L = 0.5m (Side of Vehicle Connection)	815 010 001	Use OE No.
	L = 6.5m	815 001 101	Use OE No.
	L = 8m	815 001 121	Use OE No.
	L = 24m	815 001 111	Use OE No.
	L = 0.5m - ADR (Side of Vehicle Connection)	815 014 001	Use OE No.
	L = 6.5m - ADR	815 013 001	Use OE No.

PC INTERFACE KIT (DIAG+)

	ECU and Side of Vehicle Kit	815 001 001	Use OE No.
	ECU connector to Interface		
	Cable L = 6.5	814 001 601	Use OE No.
	L = 15	814 001 611	Use OE No.
	L = 20	814 001 621	Use OE No.
	SOV connector to Interface		
	Cable L = 6.5m	814 011 001	Use OE No.
	L = 15 m	814 011 011	Use OE No.
	Interface	815 001 401	Use OE No.

EB+ STABILITY

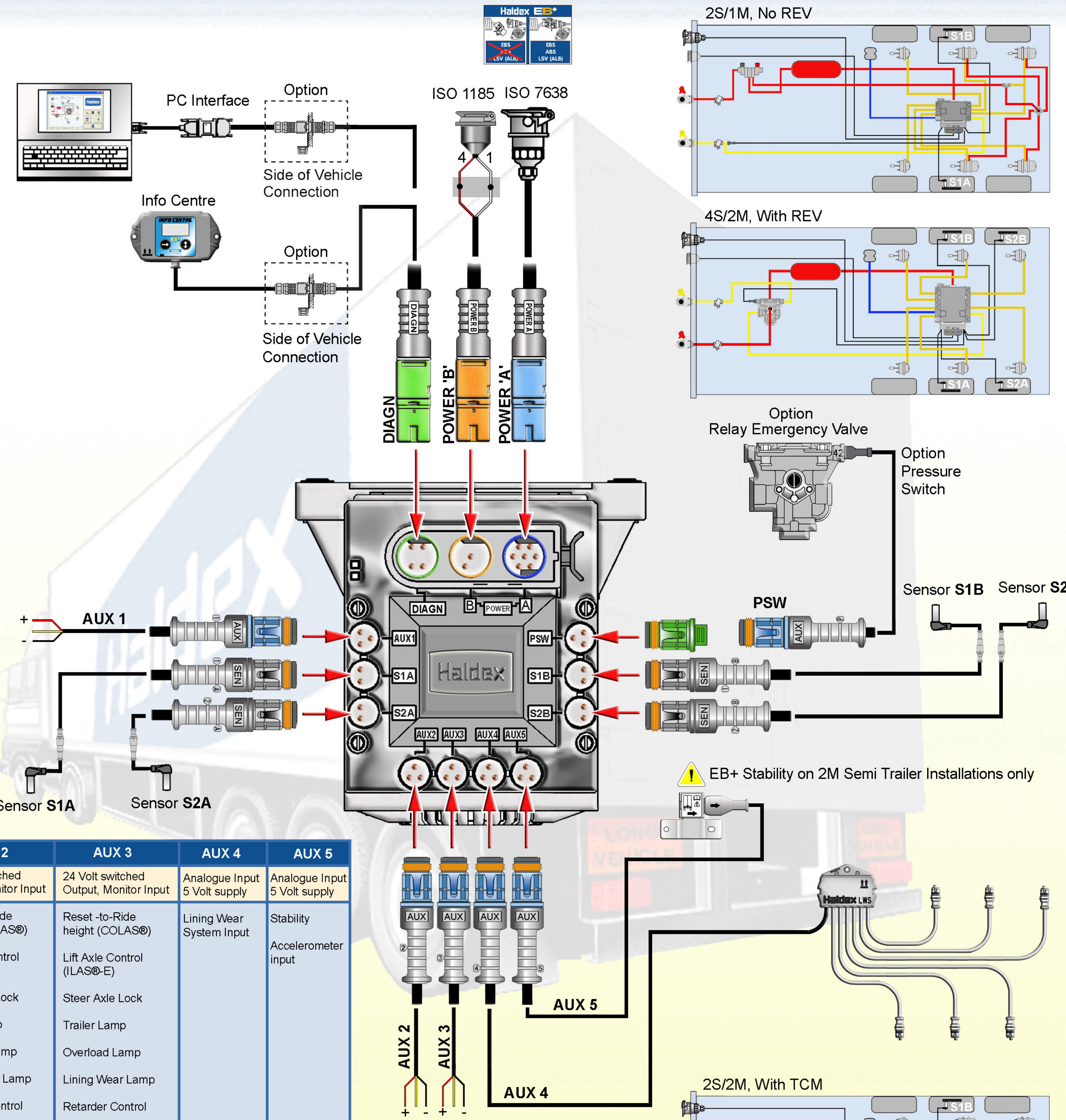
	Lateral Accelerometer	815 012 001	Use OE No.
--	-----------------------	-------------	------------

LINING WEAR SYSTEM

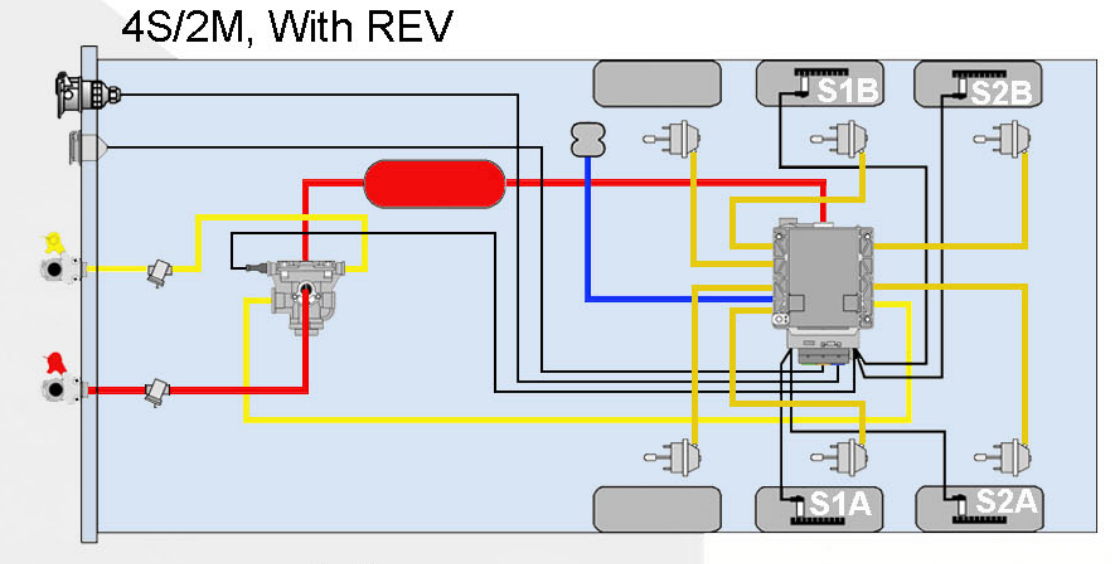
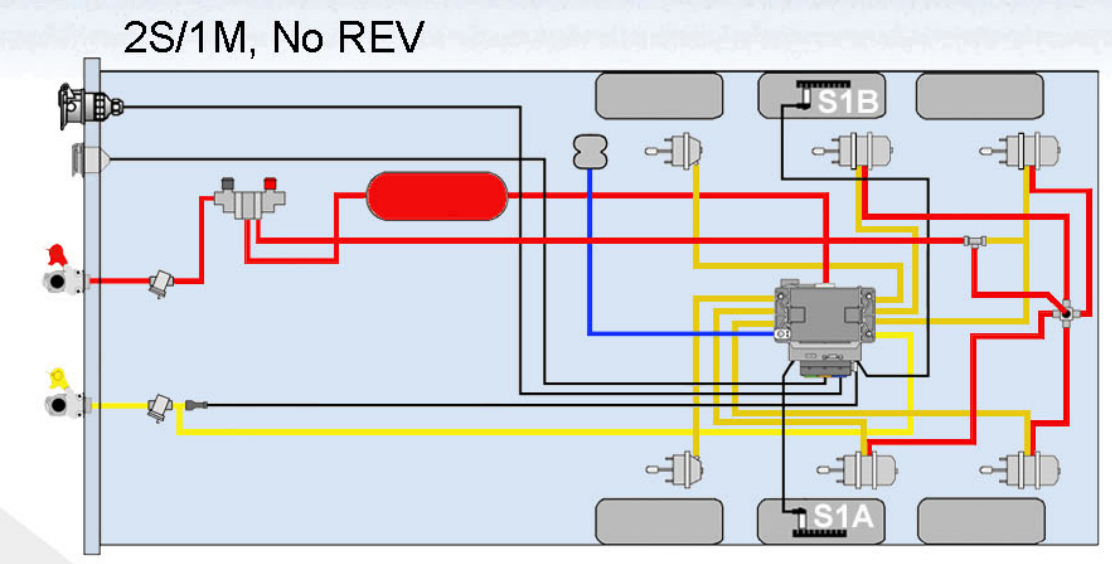
	L = 2m AUX - Standard	815 015 001	Use OE No.
	L = 2m AUX - Meritor	815 016 001	Use OE No.
	Blanking Plug (Std Version)	027 5260 09	Use OE No.

Load Plate Data

AXLE	WEIGHT	HEIGHT	SPACING
1			
2			
3			
4			



AUX 1	AUX 2	AUX 3	AUX 4	AUX 5
24 Volt switched Output	24 Volt switched Output, Monitor Input	24 Volt switched Output, Monitor Input	Analogue Input 5 Volt supply	Analogue Input 5 Volt supply
Reset -to-Ride height (COLAS®)	Reset -to-Ride height (COLAS®)	Reset -to-Ride height (COLAS®)	Lining Wear System Input	Stability
Lift Axle Control (ILAS®-E)	Lift Axle Control (ILAS®-E)	Lift Axle Control (ILAS®-E)		Accelerometer input
Steer Axle Lock	Steer Axle Lock	Steer Axle Lock		
Trailer Lamp	Trailer Lamp	Trailer Lamp		
Overload Lamp	Overload Lamp	Overload Lamp		
Lining Wear Lamp	Lining Wear Lamp	Lining Wear Lamp		
Retarder Control	Retarder Control	Retarder Control		
24 Volt Power Output	24 Volt Power Output	24 Volt Power Output		
Tachometer Output	Remote switch input giving:-	Remote switch input giving:-		
	a) Manual override for traction assist b) Manual only lift axle control (Auto drop)	a) Manual override for traction assist b) Manual only lift axle control (Auto drop)		



ISO7638 SOCKET AND CABLE ASSEMBLY

	L = 6m	814 003 151	950 800 406
	L = 9m	814 003 131	950 800 404
	L = 12m	814 003 101	950 800 401
	L = 14m	814 003 141	950 800 405
	L = 16m	814 003 111	950 800 402
	L = 18m	814 003 121	950 800 403

ISO1185 (24N) CABLE

	L = 4m	814 002 231	950 800 424
	L = 6m	814 002 221	950 800 422
	L = 12m	814 002 201	950 800 421
	L = 16m	814 002 211	950 800 423

SENSOR CABLE

	L = 2m	814 004 421	950 800 442
	L = 3m	814 004 401	950 800 441
	L = 6m	814 004 411	950 800 443
	L = 8m	814 004 451	950 800 446
	L = 10m	814 004 431	950 800 444
	L = 12m	814 004 461	950 800 447
	L = 14m	814 004 441	950 800 445

AUXILIARY CABLE

	L = 2m	814 001 321	950 800 433
	L = 4m	814 001 331	950 800 434
	L = 7m	814 001 301	950 800 431
	L = 18m	814 001 311	950 800 432
	L = 1m	814 012 021	950 800 483
	L = 2m	814 012 031	950 800 484
	L = 5m	814 012 041	950 800 485
	L = 7m	814 012 001	950 800 481
	L = 18m	814 012 011	950 800 482

SIDE OF VEHICLE CABLE

	L = 2.5m	814 010 011	950 800 462
	L = 5m	814 010 021	950 800 463
	L = 6.5m	814 010 001	950 800 461
	L = 15m	814 010 031	950 800 464

PRESSURE SWITCH CABLE

	L = 0.75m	814 001 521	950 800 453
	L = 2m	814 001 511	950 800 452
	L = 3m	814 001 531	950 800 454
	L = 5m	814 001 541	950 800 455
	L = 8m	814 001 551	950 800 456
	L = 10m	814 001 501	950 800 451

