

OE PART No. AM PART No.

### 3M ASSEMBLY

	3M Master Assy (Replaces 810 010 001)	810 010 002	
	3M Slave Assy	810 011 001	
	3M Kit (4S/2M+1M)		
	(Master & Slave ECU Assy)	810 014 002	
	Master ECU		950 800 202
	Slave ECU		950 800 203
	Master Valve 2M		950 800 302
	Slave Valve 1M		950 800 304

### PRESSURE SWITCH

	c/w O Ring and Backing Washer	041 5023 09	950 800 903
--	-------------------------------	-------------	-------------

### BLANKING PLUG

	ECU Positions: S2A, S2B, PSW, AUX1-5	003 8700 09	Use OE No.
--	--------------------------------------	-------------	------------

### LABELS

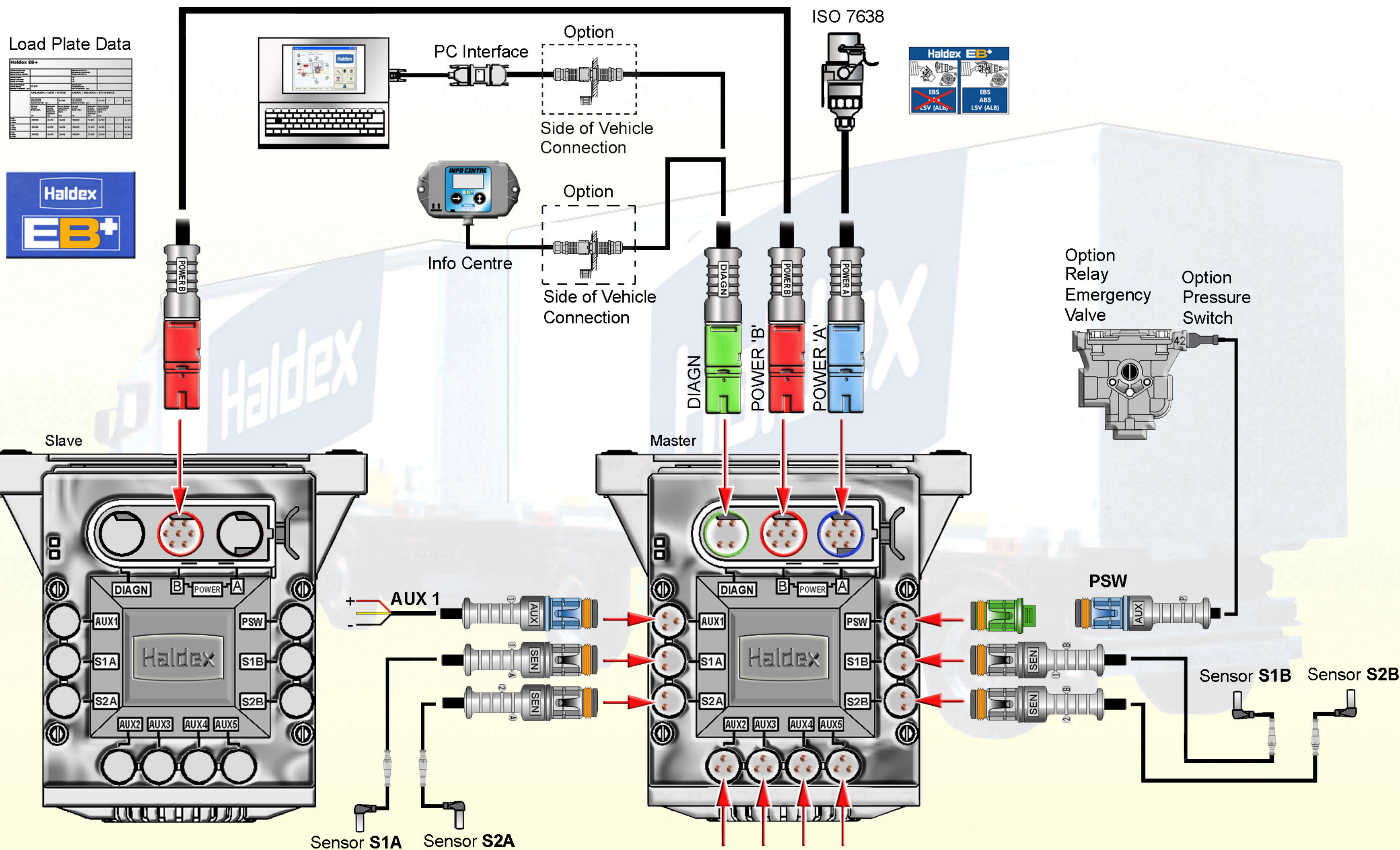
	Information	028 5262 09	Use OE No.
	Chassis (Label A)	028 5277 09	Use OE No.
	Chassis (Label B)	028 5276 09	Use OE No.
	Load Plate Data	028 5301 09	Use OE No.

### INFO CENTRE

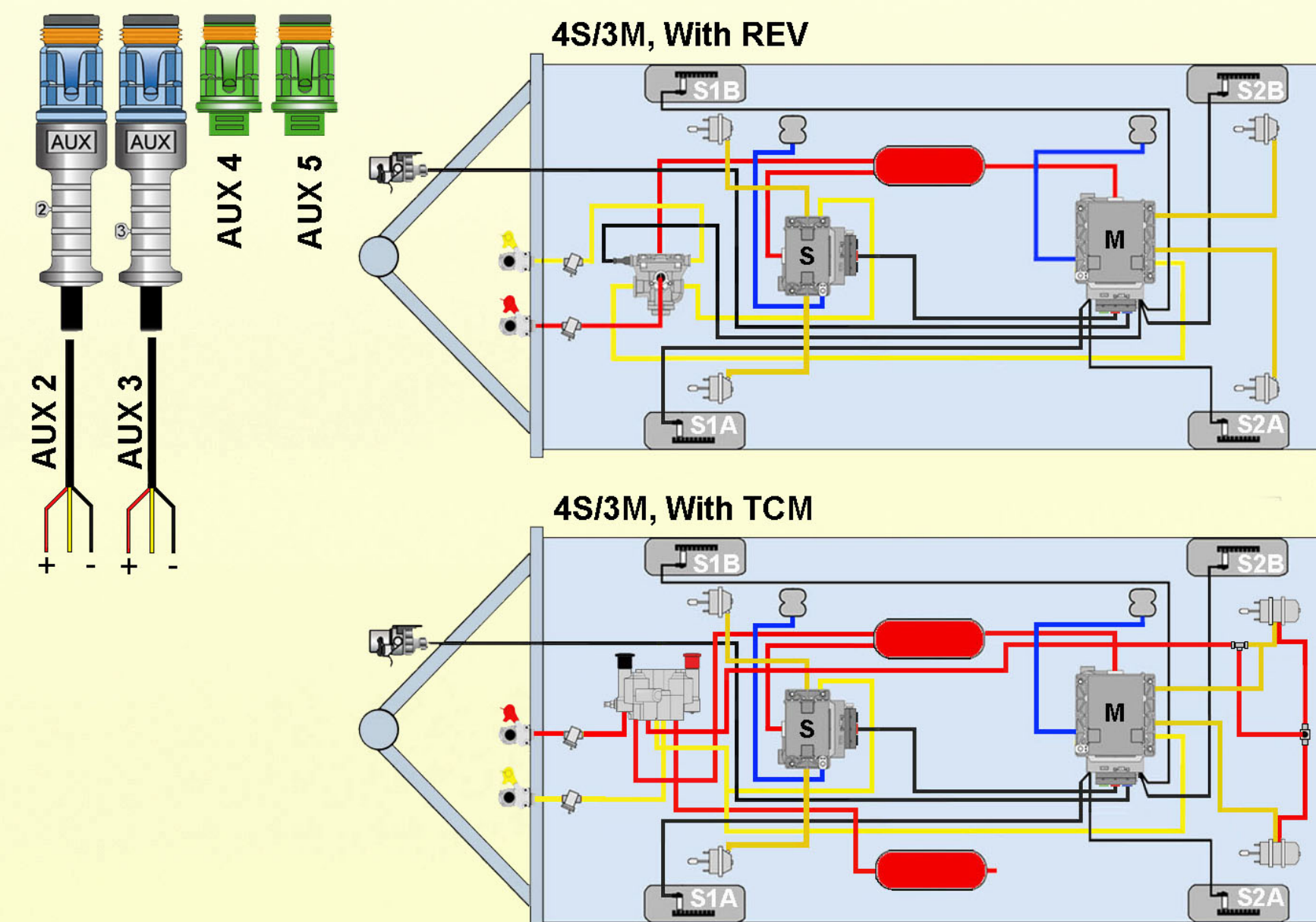
	L = 0.5m (Side of Vehicle Connection)	815 010 001	Use OE No.
	L = 6.5m	815 001 101	Use OE No.
	L = 8m	815 001 121	Use OE No.
	L = 24m	815 001 111	Use OE No.
	L = 0.5m - ADR (Side of Vehicle Connection)	815 014 001	Use OE No.
	L = 6.5m - ADR	815 013 001	Use OE No.

### PC INTERFACE KIT (DIAG+)

	ECU and Side of Vehicle Kit ECU connector to Interface	815 001 001	Use OE No.
	Cable L = 6.5	814 001 601	Use OE No.
	L = 15	814 001 611	Use OE No.
	L = 20	814 001 621	Use OE No.
	SOV connector to Interface		
	Cable L = 6.5m	814 011 001	Use OE No.
	L = 15 m	814 011 011	Use OE No.
	Interface	815 001 401	Use OE No.



AUX 1	AUX 2	AUX 3	AUX 4	AUX 5
24 Volt switched Output	24 Volt switched Output, Monitor Input	24 Volt switched Output, Monitor Input	Analogue Input 5 Volt supply	Analogue Input 5 Volt supply
Reset -to-Ride height (COLAS®)	Reset -to-Ride height (COLAS®)	Reset -to-Ride height (COLAS®)	Lining Wear System Input	
Lift Axle Control (ILAS®-E)	Lift Axle Control (ILAS®-E)	Lift Axle Control (ILAS®-E)		
Steer Axle Lock	Steer Axle Lock	Steer Axle Lock		
Trailer Lamp	Trailer Lamp	Trailer Lamp		
Overload Lamp	Overload Lamp	Overload Lamp		
Lining Wear Lamp	Lining Wear Lamp	Lining Wear Lamp		
Retarder Control	Retarder Control	Retarder Control		
24 Volt Power Output	24 Volt Power Output	24 Volt Power Output		
Tachometer Output	Remote switch input giving -	Remote switch input giving -		



### ISO7638 PLUG AND CABLE ASSEMBLY

	L = 9m	814 004 101	950 800 411
	L = 12m	814 004 111	950 800 412

### 3M LINK CABLE

	L = 2m	814 001 011	950 800 472
	L = 5m	814 001 021	950 800 473
	L = 8m	814 004 051	950 800 476
	L = 10m	814 001 041	950 800 475
	L = 12m	814 001 001	950 800 471
	L = 14m	814 001 031	950 800 474

### SENSOR CABLE

	L = 2m	814 004 421	950 800 442
	L = 3m	814 004 401	950 800 441
	L = 6m	814 004 411	950 800 443
	L = 8m	814 004 451	950 800 446
	L = 10m	814 004 431	950 800 444
	L = 12m	814 004 461	950 800 447
	L = 14m	814 004 441	950 800 445

### AUXILIARY CABLE

	L = 2m	814 001 321	950 800 433
	L = 4m	814 001 331	950 800 434
	L = 7m	814 001 301	950 800 431
	L = 18m	814 001 311	950 800 432
	L = 1m	814 012 021	950 800 483
	L = 2m	814 012 031	950 800 484
	L = 5m	814 012 041	950 800 485
	L = 7m	814 012 001	950 800 481
	L = 18m	814 012 011	950 800 482

### SIDE OF VEHICLE CABLE

	L = 2.5m	814 010 011	950 800 462
	L = 5m	814 010 021	950 800 463
	L = 6.5m	814 010 001	950 800 461
	L = 15m	814 010 031	950 800 464

### PRESSURE SWITCH CABLE

	L = 0.75m	814 001 521	950 800 453
	L = 2m	814 001 511	950 800 452
	L = 3m	814 001 531	950 800 454
	L = 5m	814 001 541	950 800 455
	L = 8m	814 001 551	950 800 456
	L = 10m	814 001 501	950 800 451