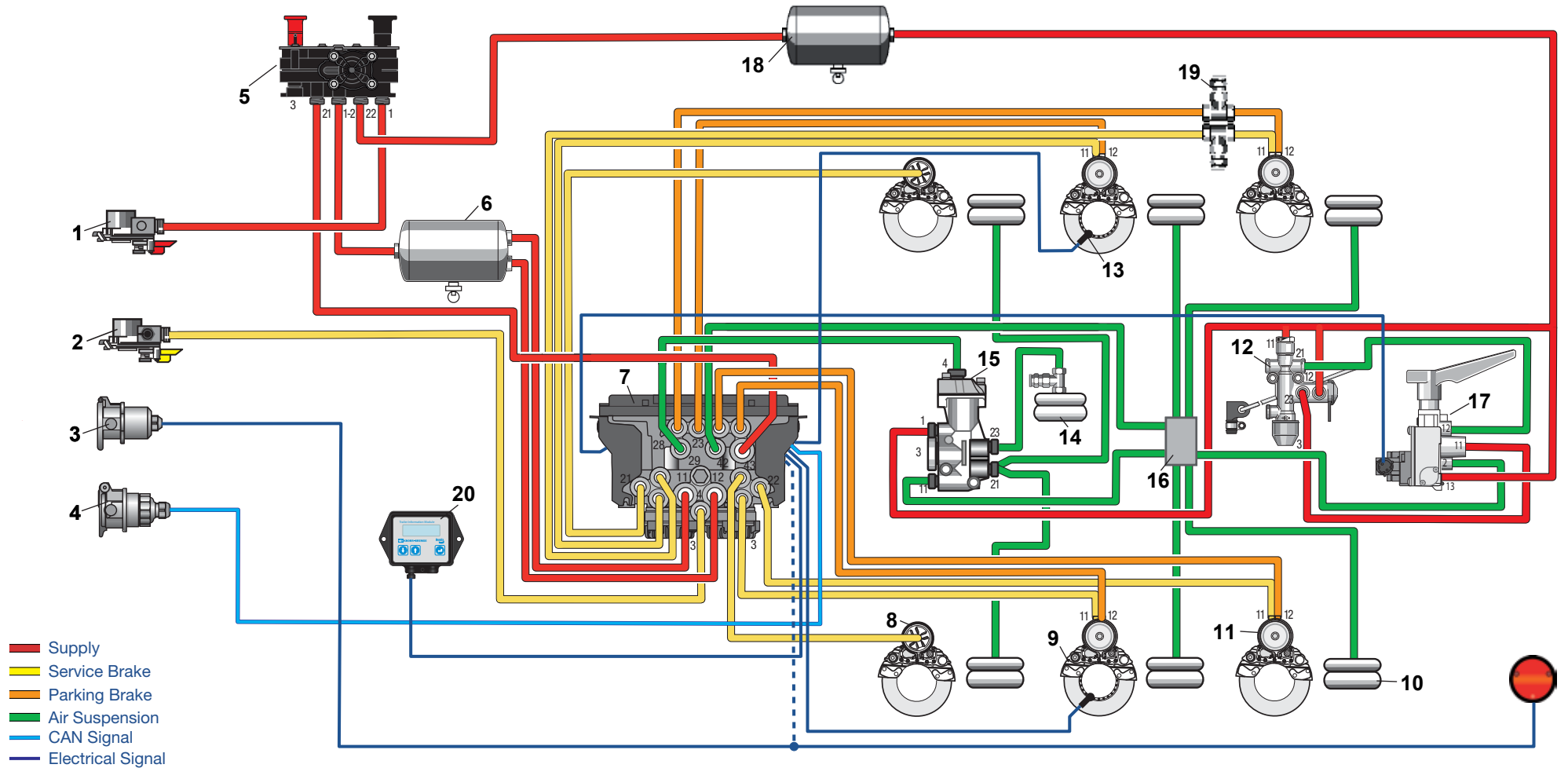


Semi-trailer Air Brake and Suspension System with TEBS G2.2 Premium (2S/2M brake system and air suspension system with air controlled lift axle)



Y258582 (EN - Rev. 001) Page 1
December 2016



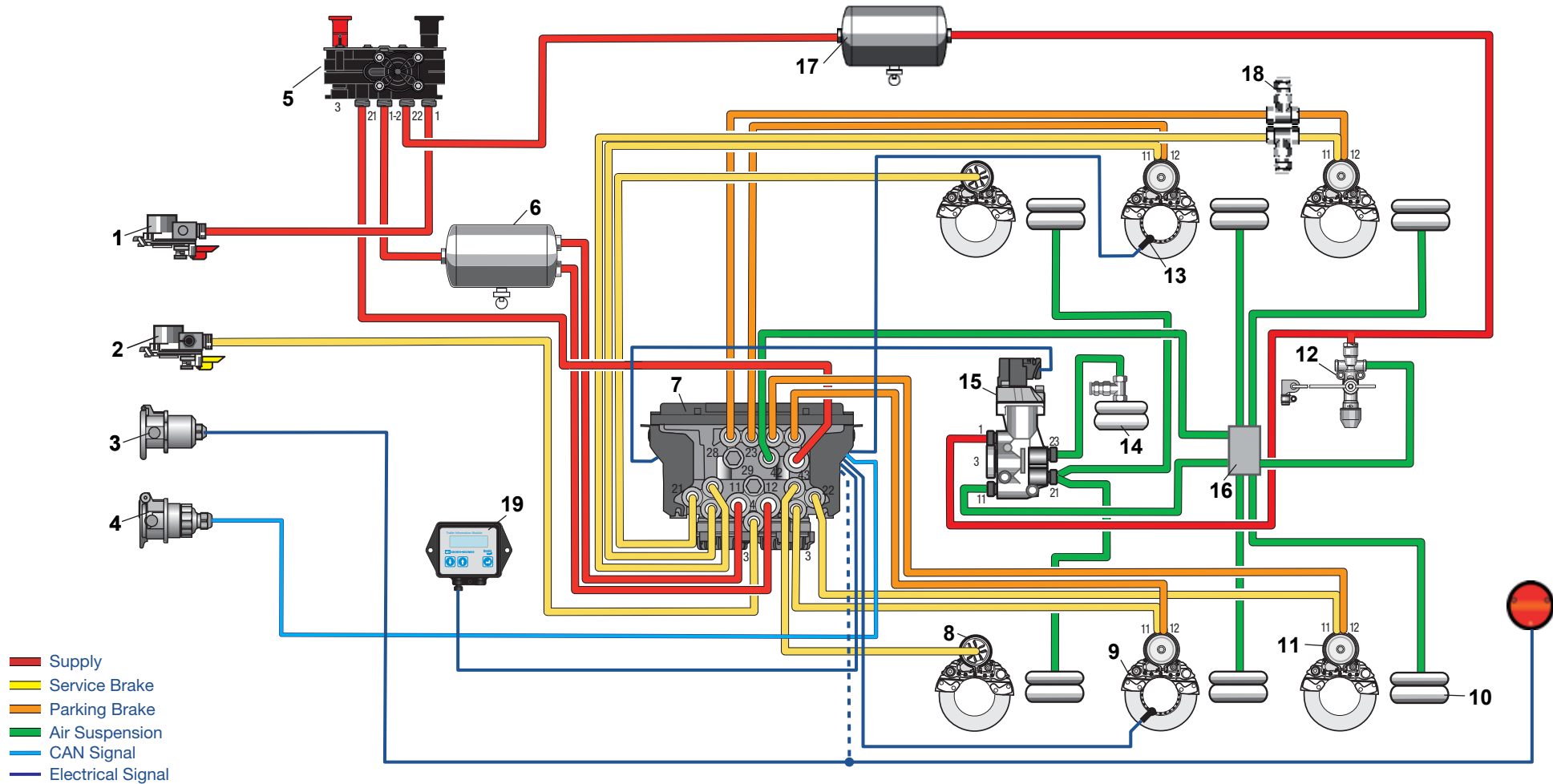
- Supply
- Service Brake
- Parking Brake
- Air Suspension
- CAN Signal
- Electrical Signal

1 Coupling Head "Supply" with Filter	6 Air Reservoir (Service and Parking)	11 Spring Brake	16 Manifold Block
2 Coupling Head "Control" with Filter and Test Connector	7 TEBS G2.2 Premium Brake Module	12 Levelling Valve with Height Limitation	17 Raise/Lower Valve with Speed Pulse reset to ride height
3 ISO 12098 Connector	8 Brake Chamber	13 Sensing Ring and Wheel Speed Sensor	18 Air Reservoir (Air Suspension)
4 ISO 7638 Connector (EBS)	9 Air Disc Brake	14 Lift Bellows	19 Test Connector
5 Park/Shunt Valve with integrated Charging Valve	10 Air Suspension Bellows	15 Lift Axle Valve (pneumatically controlled)	20 Trailer Information Module (TIM G2)

Semi-trailer Air Brake and Suspension System with TEBS G2.2 Premium (2S/2M brake system and air suspension system with electrically controlled lift axle)



Y258582 (EN - Rev. 001) Page 2
December 2016

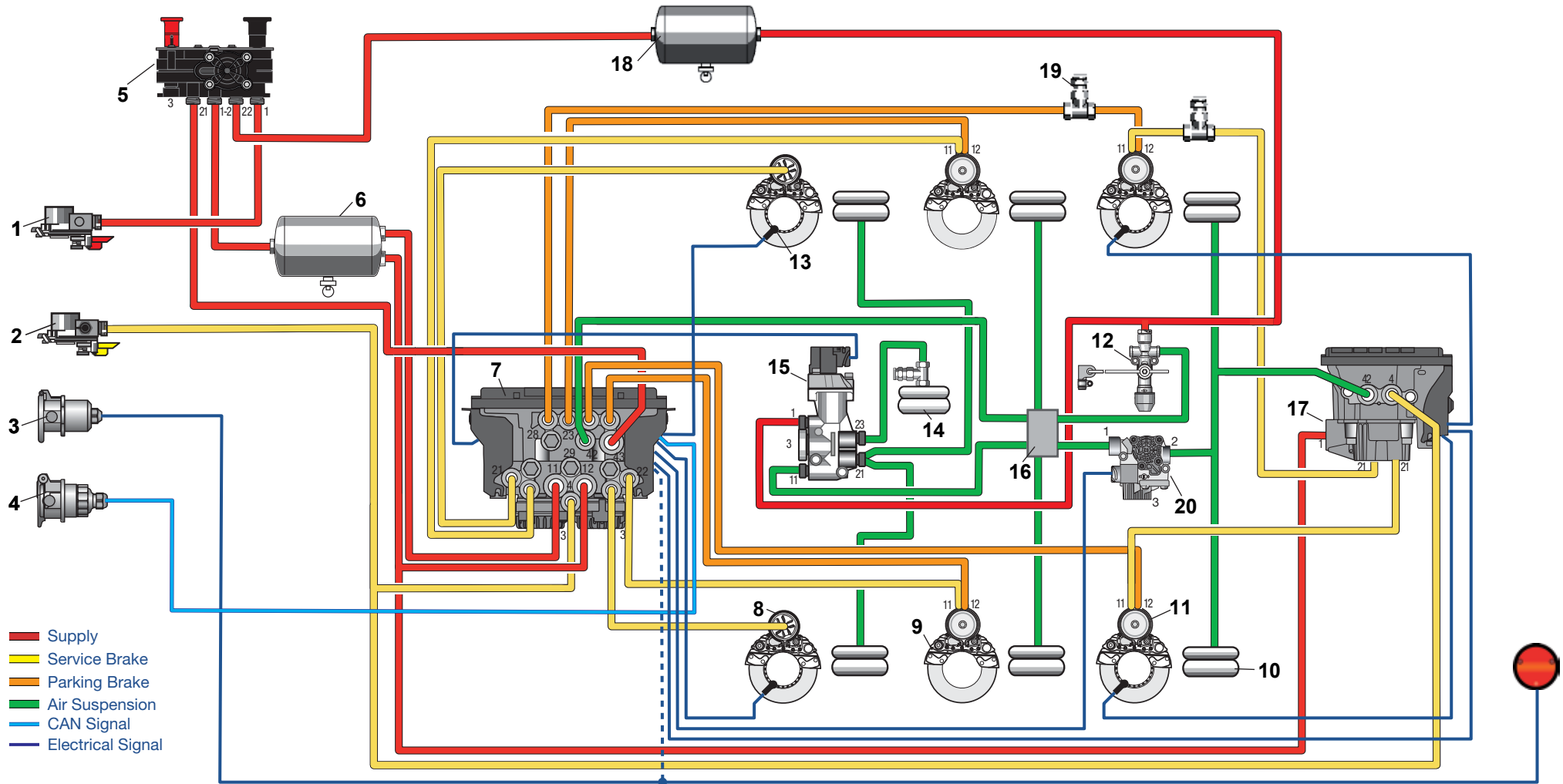


- | | | | |
|--|---------------------------------------|--|--|
| 1 Coupling Head "Supply" with Filter | 6 Air Reservoir (Service and Parking) | 11 Spring Brake | 16 Manifold Block |
| 2 Coupling Head "Control" with Filter and Test Connector | 7 TEBS G2.2 Premium Brake Module | 12 Levelling Valve (without height limitation) | 17 Air Reservoir (Air Suspension) |
| 3 ISO 12098 Connector | 8 Brake Chamber | 13 Sensing Ring and Wheel Speed Sensor | 18 Test Connector |
| 4 ISO 7638 Connector (EBS) | 9 Air Disc Brake | 14 Lift Bellows | 19 Trailer Information Module (TIM G2) |
| 5 Park/Shunt Valve with integrated Charging Valve | 10 Air Suspension Bellows | 15 Lift Axle Valve (electrically controlled) | |

Semi-trailer Air Brake and Suspension System with TEBS G2.2 Premium (4S/3M brake system and air suspension system with iCargo and electrically controlled lift axle)



Y258582 (EN - Rev. 001) Page 3
December 2016

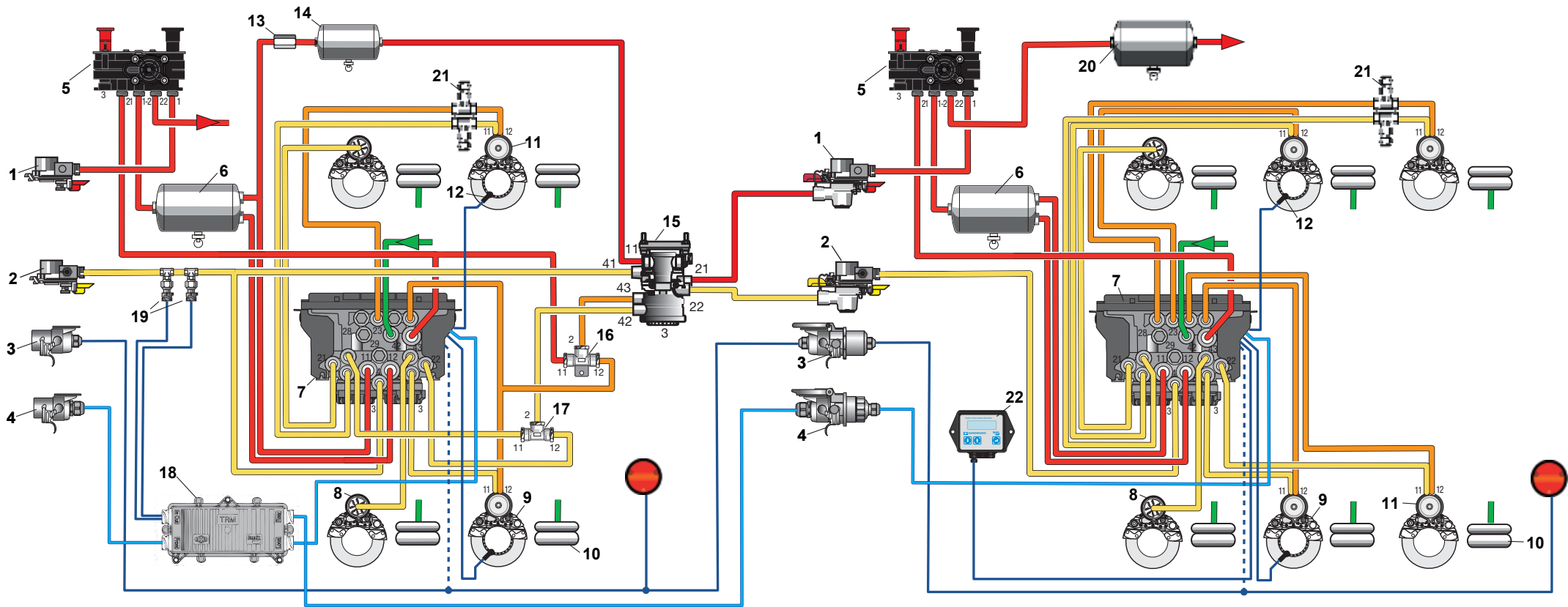


- | | | | |
|--|---------------------------------------|--|--|
| 1 Coupling Head "Supply" with Filter | 6 Air Reservoir (Service and Parking) | 11 Spring Brake | 16 Manifold Block |
| 2 Coupling Head "Control" with Filter and Test Connector | 7 TEBS G2.2 Premium Brake Module | 12 Levelling Valve (without height limitation) | 17 Trailer Electro-Pneumatic Module - Premium (TEPM-P) |
| 3 ISO 12098 Connector | 8 Brake Chamber | 13 Sensing Ring and Wheel Speed Sensor | 18 Air Reservoir (Air Suspension) |
| 4 ISO 7638 Connector (EBS) | 9 Air Disc Brake | 14 Lift Bellows | 19 Test Connector |
| 5 Park/Shunt Valve with integrated Charging Valve | 10 Air Suspension Bellows | 15 Lift Axle Valve (electrically controlled) | 20 Pressure Control Valve (PCV) |

Dolly plus Semi-trailer (EuroCombi) Air Brake System with TEBS G2.2 Premium (2S/2M brake system on 2-axle dolly and 2S/2M brake system on 3-axle semi-trailer)



Y258582 (EN - Rev. 001) Page 4
December 2016



— Supply
— Parking Brake
— Service Brake
— Air Suspension
— CAN Signal
— Electrical Signal

- | | | | |
|--|---------------------------------------|--|--|
| 1 Coupling Head "Supply" with Filter | 6 Air Reservoir (Service and Parking) | 11 Spring Brake | 17 Double Check Valve |
| 2 Coupling Head "Control" with Filter and Test Connector | 7 TEBS G2.2 Premium Brake Module | 12 Sensing Ring and Wheel Speed Sensor | 18 Trailer Roadtrain Module (TRM) |
| 3 ISO 12098 Connector | 8 Brake Chamber | 13 Single Check Valve | 19 Pressure Transducer |
| 4 ISO 7638 Connector (EBS) | 9 Air Disc Brake | 14 Air Reservoir (Trailer) | 20 Air Reservoir (Air Suspension) |
| 5 Park/Shunt Valve with integrated Charging Valve | 10 Air Suspension Bellows | 15 Trailer Control Valve | 21 Test Connector |
| | | 16 Select Low (SL) Valve | 22 Trailer Information Module (TIM G2) |