

## NEW REPAIR KIT FOR VOLVO AUTOMATED MANUAL TRANSMISSION (AMT)

For nearly 30 years WABCO has been leading the industry in engineering and producing transmission automation solutions. With increasing market penetration of AMT technology, WABCO also continues to extend its range for the Independent Aftermarket (IAM).

Focusing on specific aftermarket needs with the target of cost effective repair and replacement of worn parts, WABCO now launches the lower part of the gear box actuator for specific AMT Volvo and Renault heavy duty applications.

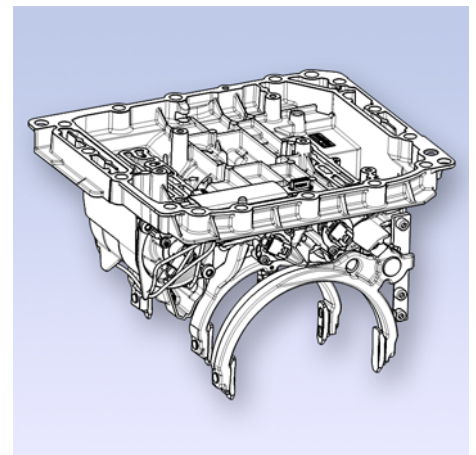


*AMT gearbox actuator*

## REPAIR KIT FOR THE VOLVO AMT-D GENERATION GEARBOX ACTUATOR (LOWER PART)

The new Repair Kit **421 365 945 2** consists of the lower part of the D-generation gear box actuator used for specific Volvo and Renault applications. It is a purely mechanical part (shift unit) and thus enables the repair of the gear box actuator without the need of the boot-loader.

WABCO product number	OEM cross-reference		For WABCO gear box application
	Renault	Volvo	
<b>421 365 945 2</b>	7421244590	21571890 21244590	421 364 002 0 421 364 003 0 421 365 005 0 421 365 006 0 421 365 007 0 421 365 008 0 421 365 009 0 421 365 010 0 421 365 011 0 421 365 012 0



*Lower part of the gearbox actuator*

## DIAGNOSIS

A learning procedure may be required following a repair. This procedure can be carried out using the Volvo diagnostic tool or the W.EASY diagnosis from Wabcowürth (for vehicles built 2005 to 2013).

## ADDITIONAL REPAIR KITS FOR VOLVO AMT

Next to the newly launched part number, WABCO is offering further mechanical repair kits for Volvo gear box actuators enabling the replacement of worn parts without having to replace the entire gear box actuator.

WABCO repair kit		OEM cross reference		For WABCO gear box application
Product number	Description	Renault	Volvo	
421 365 920 2	Static sealing	7420785252	20785252 20562626	421 365 000 0
421 365 921 2	Connector bridge	7420562627	20562627 21911587	421 365 000 0
421 365 922 2	Kit with detents	7420562629	20562629	421 365 000 0
421 365 923 2	Lip seal kit	7420562630	20562630	421 365 000 0
421 365 924 2	Cylinder cover (split cylinder)	7420562631	20562631	421 365 000 0
421 365 925 2	Cylinder cover (1/R cylinder)	7420562633	20562633	421 365 000 0
421 365 926 2	Cylinder cover (3/2 cylinder)	7420562635	20562635	421 365 000 0
421 365 929 2	Distance sensor	7420562642	20562642	421 365 000 0
421 365 932 2	Piston rod for split cylinder	7420562105 7421786063	20562105 21786063 21302091	421 365 000 0
421 365 933 2	Piston rod for 1/R cylinder	7420562107	20562107 21302092	421 365 000 0
421 365 934 2	Piston rod for 2/3 cylinder	7420562109	20562109 21302093	421 365 000 0
421 365 938 2	Connection bridge	7420775027	20775027	421 365 002 0 421 365 004 0
421 365 939 2	Sheet metal split stop for the split group on the gearbox actuator	7420845917	20845917	421 364 003 0 421 365 000 0 421 365 011 0 421 365 012 0 421 365 013 0
421 365 946 2	Connector kit with connecting piece, fillister head screws	7421068284	21068284	421 364 003 0 421 365 005 0 421 365 006 0 421 365 008 0 421 365 009 0 421 365 011 0 421 365 012 0 421 365 013 0

WABCO repair kit		OEM cross-reference		For WABCO gear box application
Product number	Description	Renault	Volvo	
421 365 947 2	Pressure sensor kit with cap, mounting clip, pressure sensor module, fillister head screws, o-ring	7421068286 7421353473	21068286	421 364 002 0 421 364 003 0 421 365 000 0 421 365 005 0 421 365 006 0 421 365 008 0 421 365 009 0 421 365 010 0 421 365 011 0 421 365 012 0 421 365 013 0

Information on WABCO products can be found in our [INFORM](http://inform.wabco-auto.com) product catalogue (inform.wabco-auto.com) by entering the product number in the "Product Number" search field.

Please contact your [WABCO partner](#) for further information (www.wabco-auto.com/findwabco).